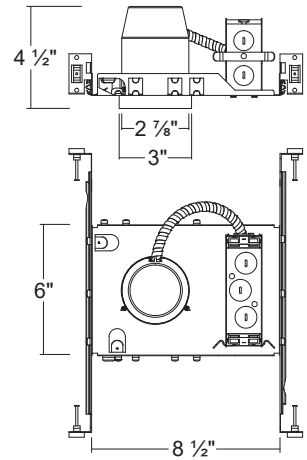


LED300ICA

3" IC Air-Tight LED Dedicated New construction Housing



Dimensions



SPECIFICATION

Plaster Frame

- Galvanized steel construction. The housing can be removed from plaster frame to provide access to the junction box

Junction Box

- Listed for through branch circuit wiring
- Contains seven 7/8" knockouts
- New Cable Trap for easy installation of Romex Cable (US Patented / China Patented)

Bar Hanger

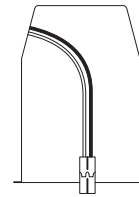
- Pre-installed Real nail easily installs in regular lumber, engineered lumber
- Bar Hangers are adjustable from 13-5/8" to 25" and can be repositioned 90 degree on plaster frame

Listings

- cULus Listed for Damp Location
- cULus Listed for Feed Through
- Certified under ASTM-E283 for Air tight construction

CONNECTOR

LED300ICA
Triac Dimming Ver.



Ideal connector

ORDERING INFORMATION

Model No.	Dimming	Description
LED300ICA	Triac Dimming	3" IC Air-Tight Dedicated New construction Housing

COMPATIBLE TRIMS

Model NO.	Description
LRKT311	3 inch LED Round Gimbal Retrofit kit
LRKT35XX Series	3 & 3.5 & 3.7 inch LED All Retrofit kit Series
LRKT311-3CCT	3 inch Selectable 3 CCT LED Round Gimbal Retrofit kit
LRKT35XX-3CCT Series	3 & 3.5 & 3.7 inch Selectable 3 CCT LED All Retrofit kit Series
LRKT311-5CCT	3 inch Selectable 5 CCT LED Round Gimbal Retrofit kit
LRKT35XX-5CCT Series	3 & 3.5 & 3.7 inch Selectable 5 CCT LED All Retrofit kit Series